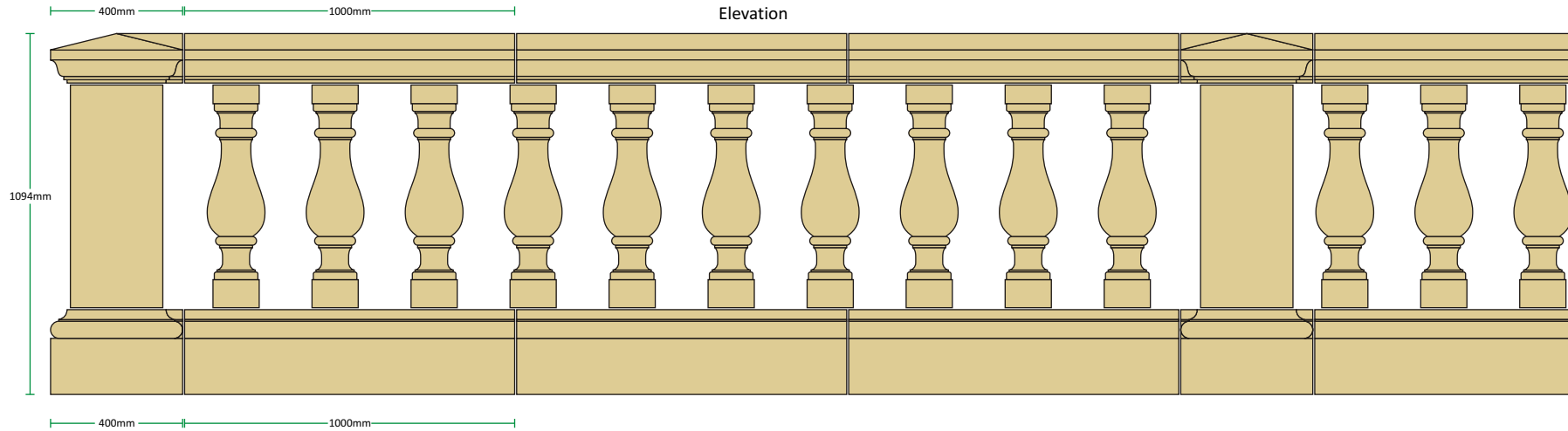


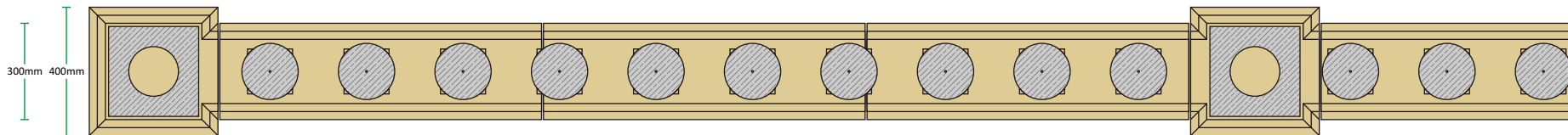
Style 20 Balustrade

Oxford Baluster combined with the Vyne Rail and Plinth with Decorated Piers.

Elevation



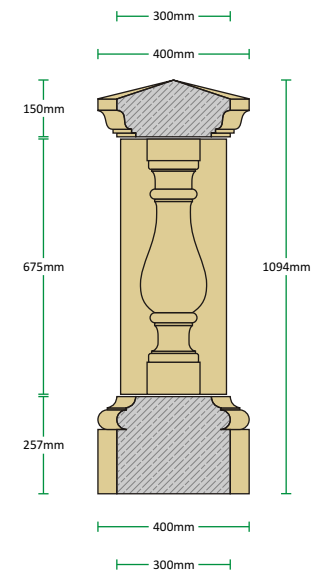
Plinth Plan



'Style 20' Balustrade		Height	Width	Length	Weight
Description	Code	(mm)	(mm)	(mm)	(Kg)
Oxford baluster	BS9A	675	140	140	26
Oxford baluster - Sloping*	BS9B	675	140	140	26
Vyne Rail	BS12C	150	300	1000	71
Vyne Plinth	BS12D	257	300	1000	113
Vyne Pier Cap - End	BS12E	150	400	400	32
Vyne Pier Cap - Intermediate	BS12F	150	400	400	32
Vyne Pier Cap - Corner	BS12G	150	400	400	32
Vyne Pier Plinth - End	BS12H	257	400	400	60
Vyne Pier Plinth - Intermediate	BS12I	257	400	400	60
Vyne Pier Plinth - Corner	BS12J	257	400	400	60
Vyne Plain Pier Shaft	BS12K/675	675	280	280	83

* The Sloping Oxford baluster can be made to any angle, please specify the angle required at time of ordering

Section



All our balustrade styles feature an optional 135° Pier, please call a member of our technical team with your requirements.