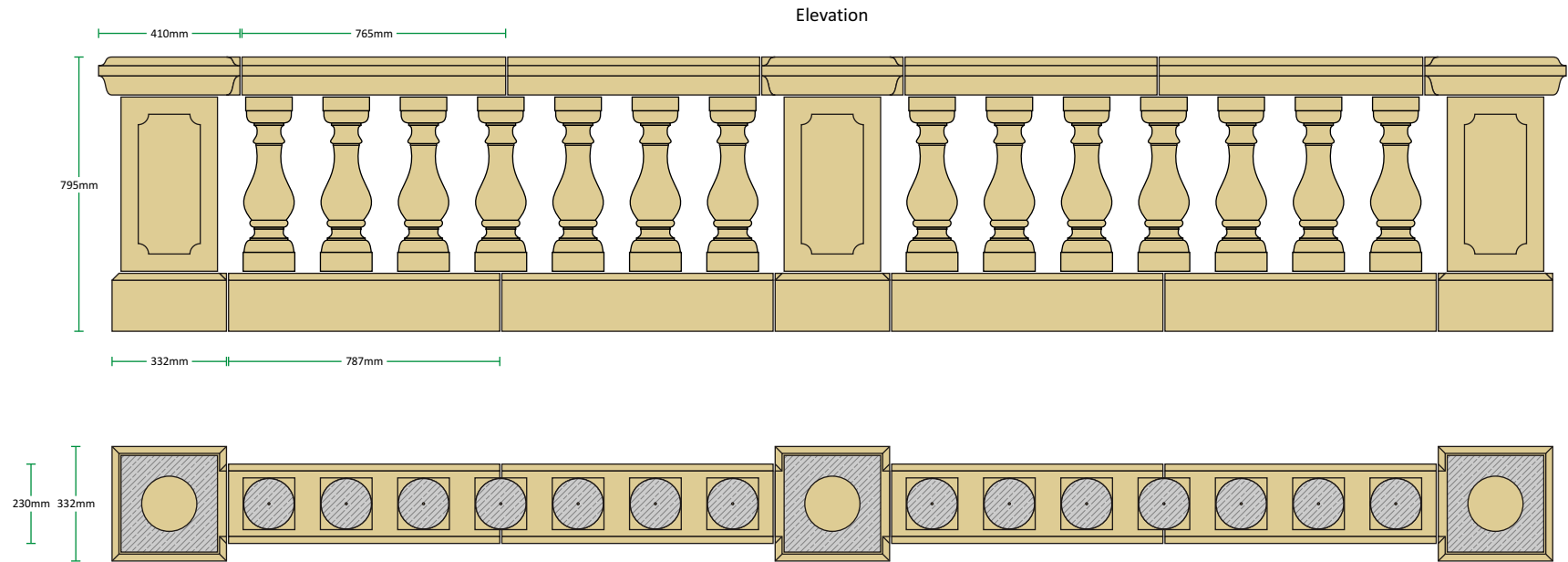


Style 6 Balustrade

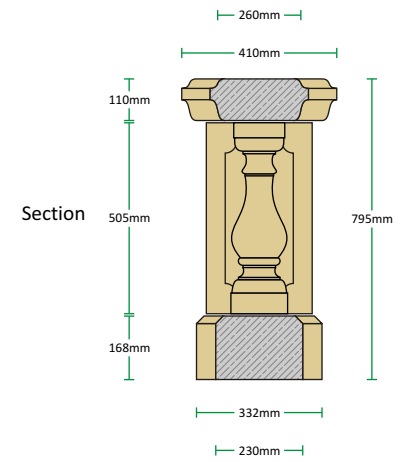
Classical Baluster combined with the Georgian Rail and Plinth with Decorated Piers.



Plinth Plan

'Style 6' Balustrade		Height	Width	Length	Weight
Description	Code	(mm)	(mm)	(mm)	(Kg)
Classical baluster	BS5A	505	150	150	13
Classical baluster - Sloping*	BS5B	505	150	150	13
Georgian Rail	BS4C	110	260	765	37
Georgian Plinth	BS4D	168	230	787	60
Georgian Pier Cap - End	BS4E	110	410	410	33
Georgian Pier Cap - Intermediate	BS4F	110	410	410	33
Georgian Pier Cap - Corner	BS4G	110	410	410	33
Georgian Pier Plinth - End	BS4H	168	332	332	36
Georgian Pier Plinth - Intermediate	BS4I	168	332	332	36
Georgian Pier Plinth - Corner	BS4J	168	332	332	36
Classical Decorated Pier Shaft	BS5L	505	280	280	62

* The Sloping Classical baluster can be made to any angle, please specify the angle required at time of ordering



Section

All our balustrade styles feature an optional 135° Pier, please call a member of our technical team with your requirements.