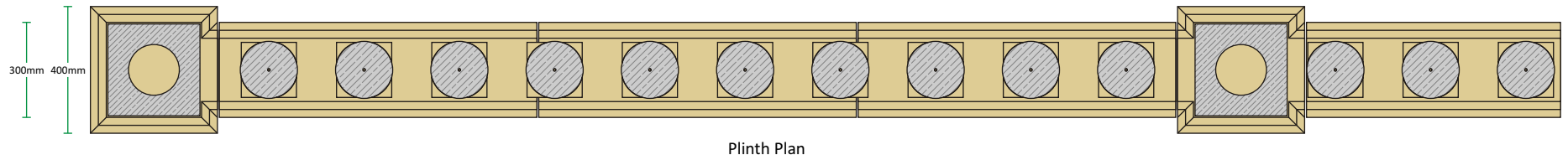
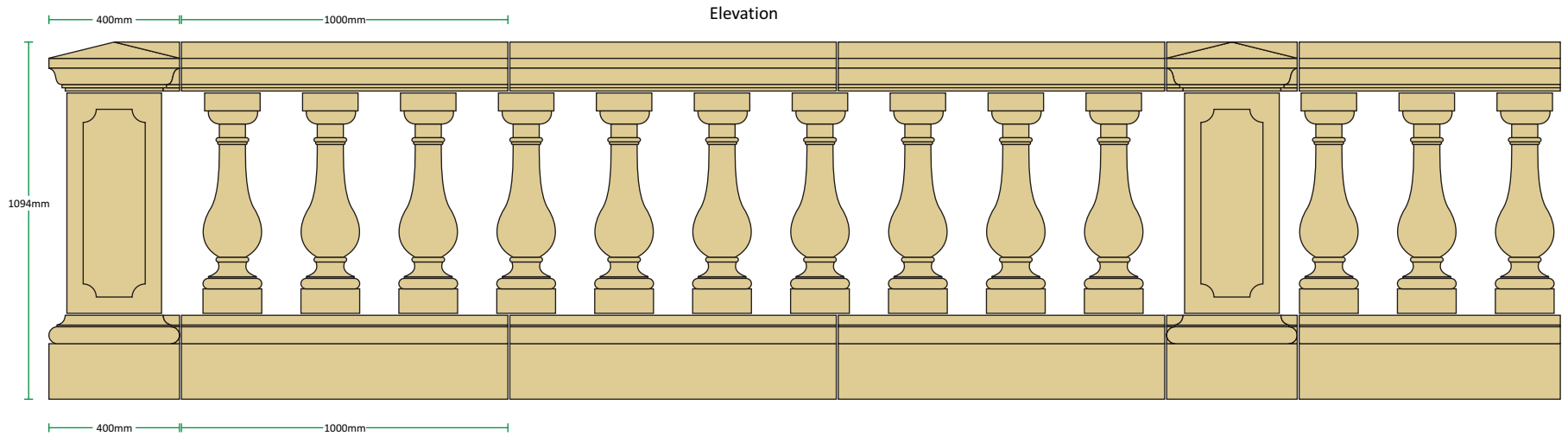


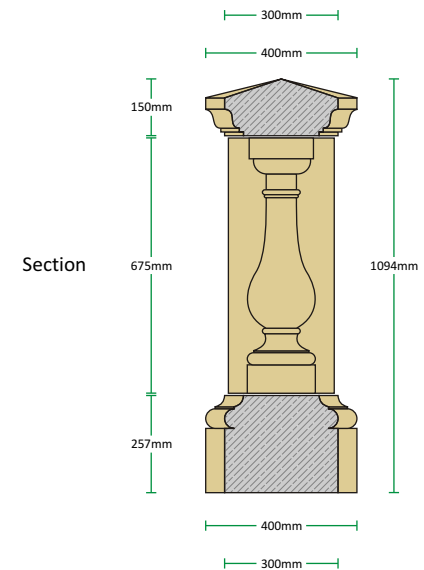
# Style 23 Balustrade

Vyne Baluster combined with the Vyne Rail and Plinth.



'Style 23' Balustrade		Height	Width	Length	Weight
Description	Code	(mm)	(mm)	(mm)	(Kg)
Vyne baluster	BS12A	675	180	180	29
Vyne baluster - Sloping*	BS12B	675	180	180	29
Vyne Rail	BS12C	150	300	1000	71
Vyne Plinth	BS12D	257	300	1000	113
Vyne Pier Cap - End	BS12E	150	400	400	32
Vyne Pier Cap - Intermediate	BS12F	150	400	400	32
Vyne Pier Cap - Corner	BS12G	150	400	400	32
Vyne Pier Plinth - End	BS12H	257	400	400	60
Vyne Pier Plinth - Intermediate	BS12I	257	400	400	60
Vyne Pier Plinth - Corner	BS12J	257	400	400	60
Vyne Panelled Pier Shaft	BS12L	675	280	280	91

\* The Sloping Vyne baluster can be made to any angle, please specify the angle required at time of ordering



All our balustrade styles feature an optional 135° Pier, please call a member of our technical team with your requirements.