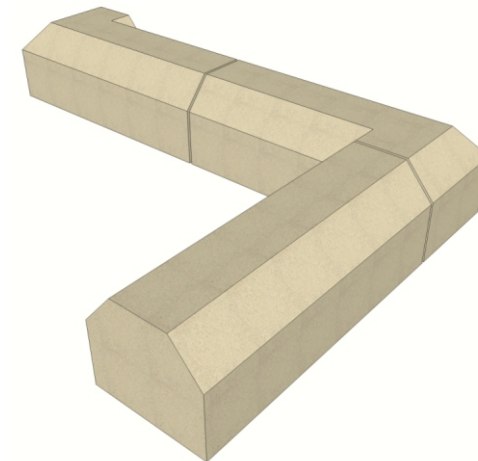
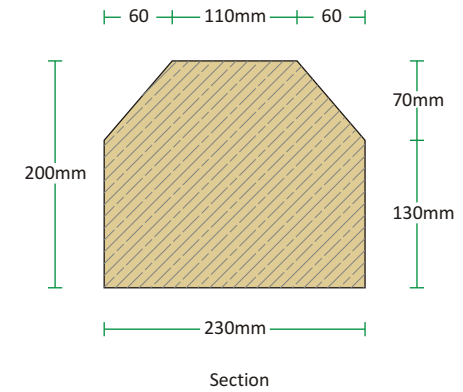
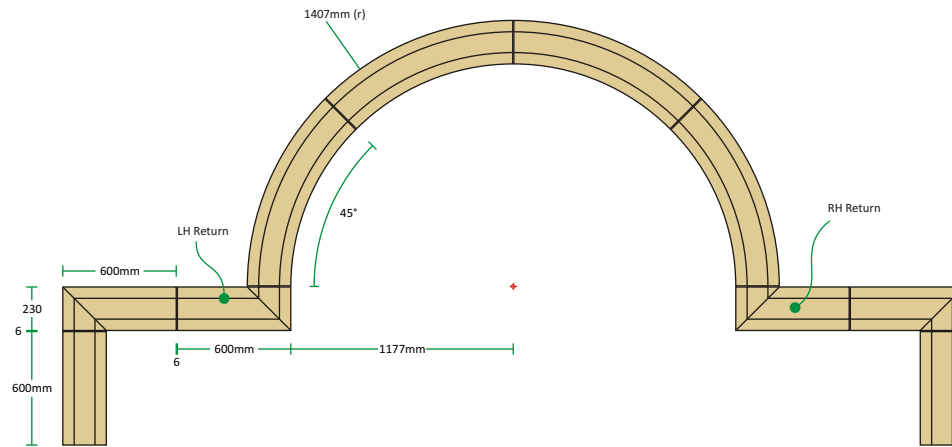


Stour Pool Surround C100

Contemporary styling allows the Stour Pool Surround to blend seamlessly with modern and classical surroundings.



Stour Pool Surround C100

Straights and Corners		Height	Width	Length	Weight
Description	Code	(mm)	(mm)	(mm)	(Kg)
Straight	C105	200	230	600	52
RH Return	C106	200	230	600	53
LH Return	C107	200	230	600	53

Radius Sections		Height	Radius	Outer No. Per Circle	Weight
Description	Code	(mm)	(mm)	(mm)	(Kg)
Curve	C104	200	1407	8	88